

# Hi-Fi Products Service Bulletin

CSA-13

Sony Service Company - Technical Services  
A Division of Sony Electronics Inc.  
Sony Drive, Park Ridge, New Jersey 07656

**Model:** HCD-C33, C55

**No.** 446

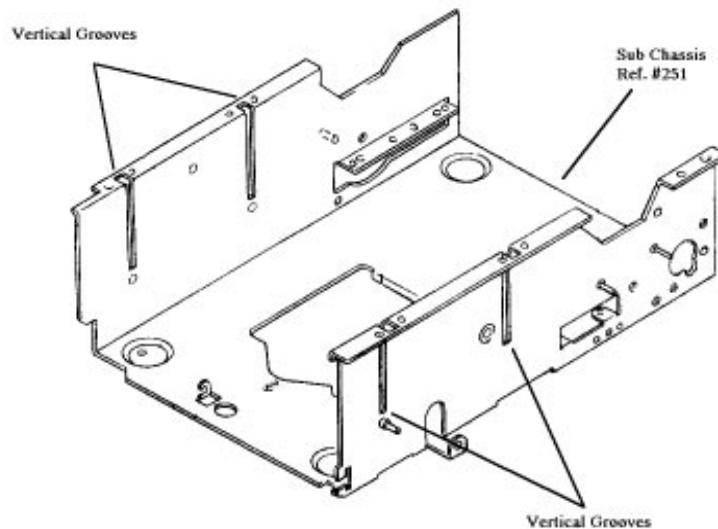
**Subject:** CD Mechanism Binding

**Date:** September 22, 1995

**Symptom:**

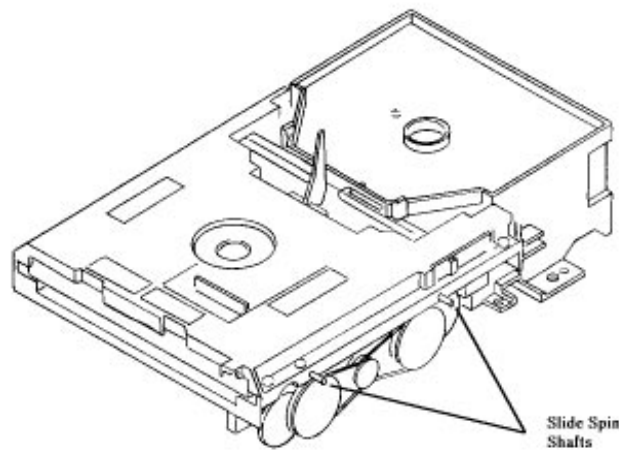
(62) The unit will not load, unload, locate or play a disc.

1.) On some units, rough edges have been found on the vertical cut grooves of the sub chassis assy ref. #251.

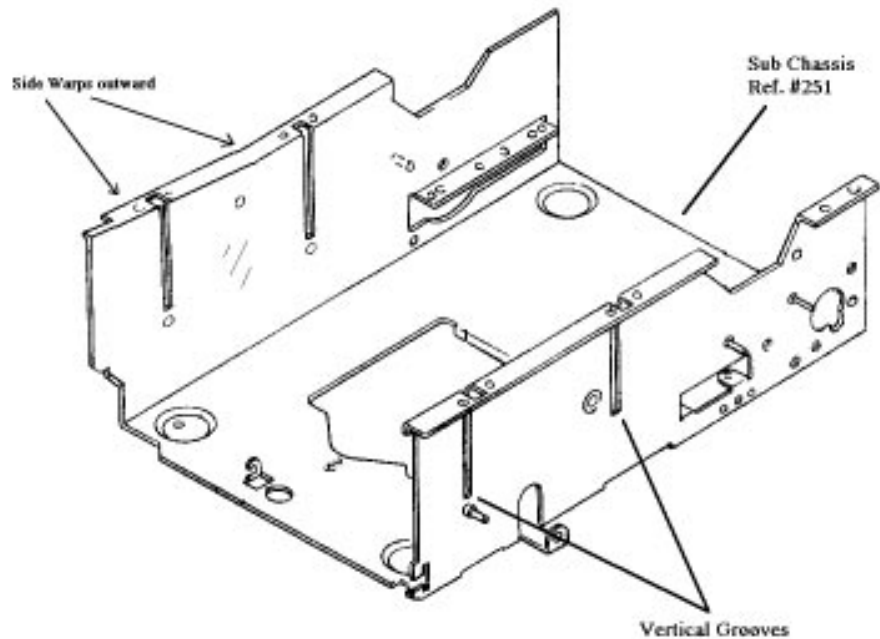


cont.

The rough edges within the vertical grooves cause the slide spin shaft (see insert) to bind. This stops the elevators Up/Down motion.



2.) In another instance, the sub chassis assy (ref.#251) can warp causing the vertical grooves to misalign. The combination of a warped chassis and misaligned grooves will cause the elevator assembly to jam.



**Solution:**

In both examples the chassis assy, sub should be replaced. The part number for the chassis assembly is X-4944-558-1. The chassis replacement should take no longer than one hour.

In the event the unit has to be shipped, perform the following "Final mode set" operation *before* shipping the unit. The "Final mode set" reduces the possibility of shipping related damage due to mechanical shock or rough handling.

- 1.) Eject the No. 1 table.
- 2.) Power the unit OFF

(wait for all mechanical motion to cease).

3.) Remove the A/C plug from the wall recepticle.

Filename: HFP0446.SB  
Directory: J:\SBDOC\SEP95  
Template: C:\WINWORD\TEMPLATE\S\_BULL.DOT  
Title:  
Subject:  
Author: Hoyt Wing Lee  
Keywords:  
Comments:  
Creation Date: 09/22/95 9:58 AM  
Revision Number: 3  
Last Saved On: 11/30/95 2:59 PM  
Last Saved By: Hoyt Wing Lee  
Total Editing Time: 1 Minute  
Last Printed On: 04/01/96 11:06 AM  
As of Last Complete Printing  
Number of Pages: 3  
Number of Words: 241 (approx.)  
Number of Characters: 1,377 (approx.)